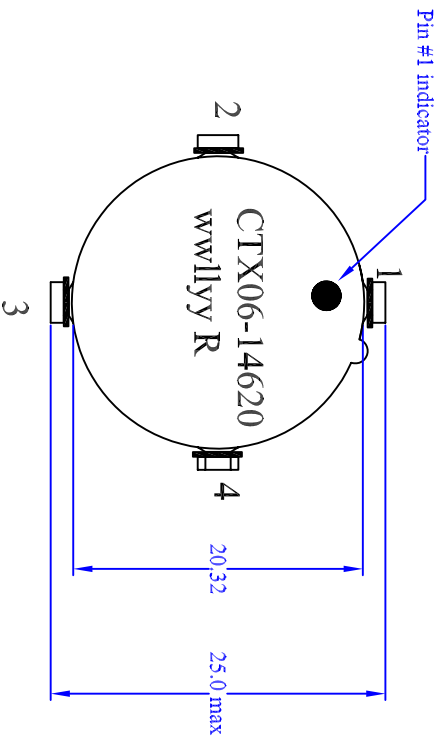
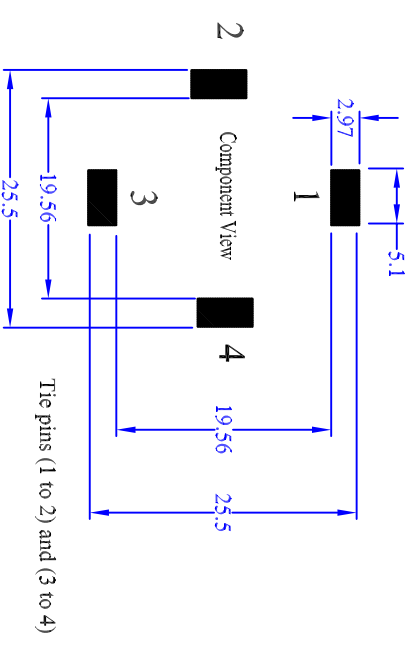


## TOP VIEW



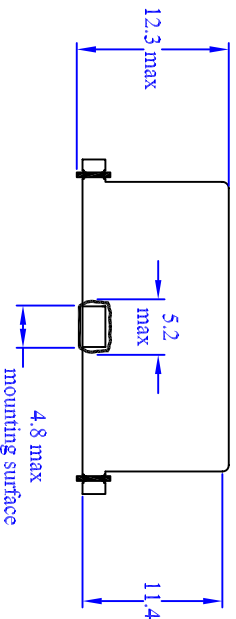
## RECOMMENDED PCB LAYOUT



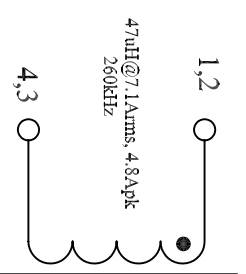
## ELECTRICAL CHARACTERISTICS

OCL @ 100KHz, 0.25Vrms & 0.04Adc pins (1,2 - 4,3), 35.40-59.0uH  
 OCL @ 100KHz, 0.25Vrms & 4.8Adc, pins (1,2 - 4,3), 21.2uH min  
 DCR @ 20°C pins (1,2 - 4,3) 0.0166 ohms maximum

## FRONT VIEW



## SCHEMATIC



### Notes:

- 1) All Dimensions are in millimeters unless otherwise specified.
- 2) Tolerances are +/- 0.25 unless stated otherwise.
- 3) All soldering surfaces to be coplanar within 0.127 millimeters.
- 4) wwllyy = (Date Code) R= (Revision Level)
- 5) PCB tolerances are +/- 0.127 unless stated otherwise.

## COILTRONICS, INCORPORATED

6000 Park of Commerce Blvd, Boca Raton, FL 33487

Inductor, 47uH, 7.1Arms, 4.8Apk, SMT, AMORPHOUS, (L48)

Size A Drawing Number: CTX06-14620  
 Revision Level: A Sheet 3 of 4